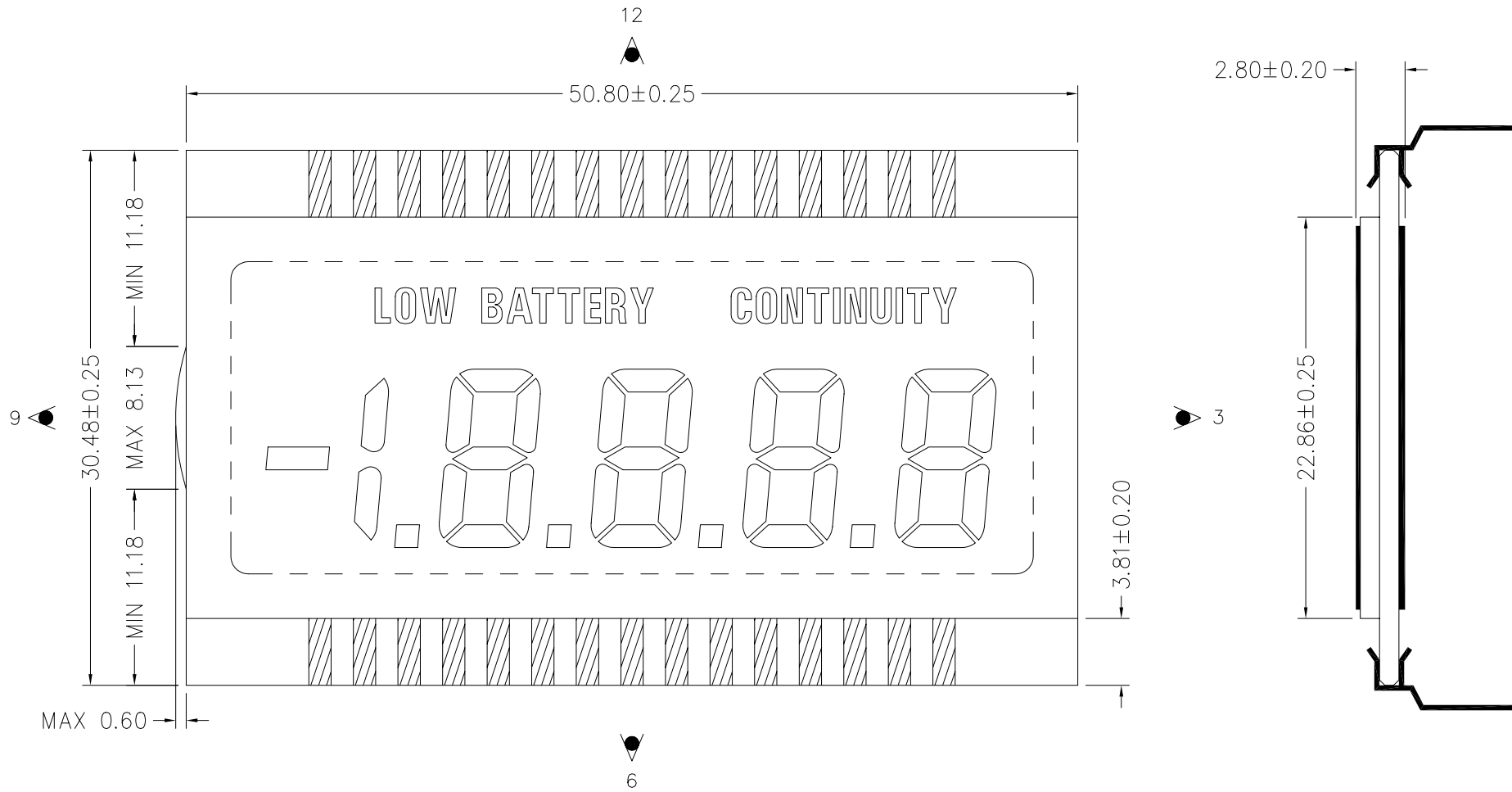


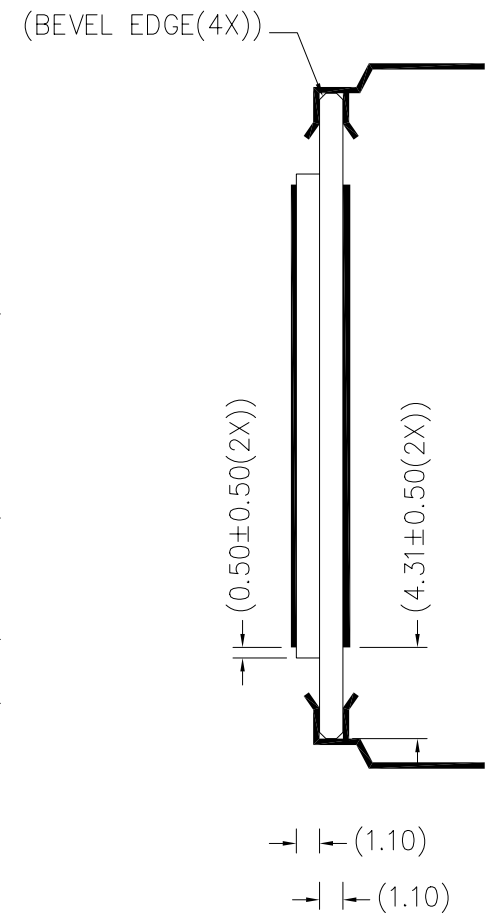
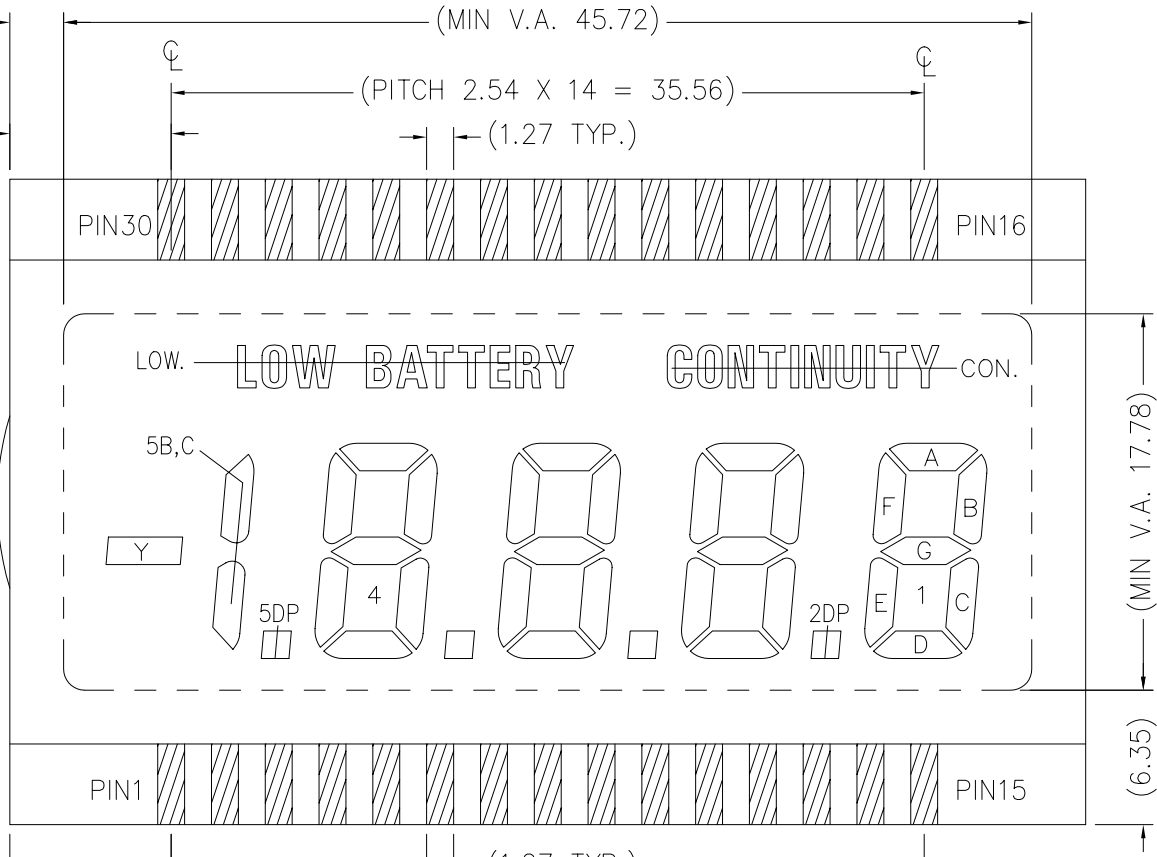
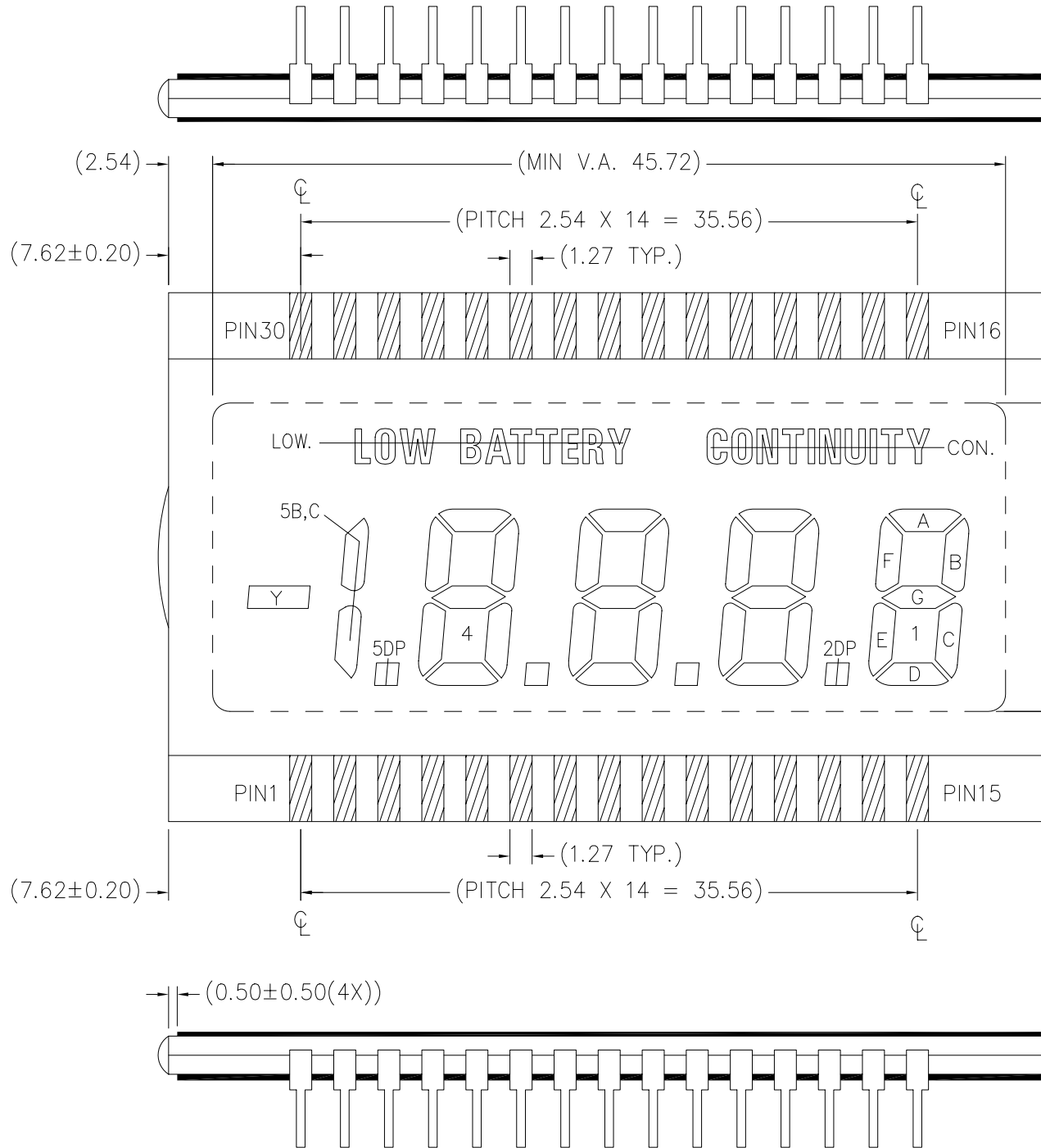
LAYOUT INSPECTION



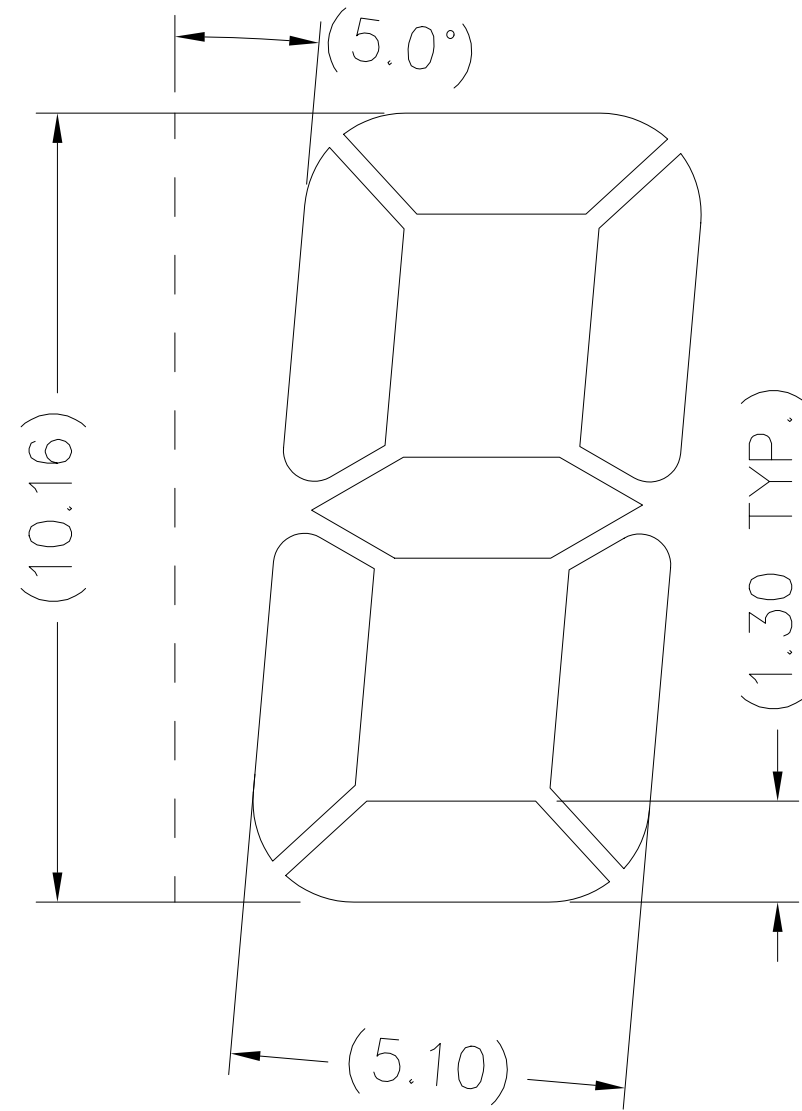
REMARKS: CHARACTER FONT: UNVER-67 (HEIGHT = 2.00 mm)

- ” ◇ ” SPECIAL CHARACTERISTIC
- ” + ” SAFETY CHARACTERISTIC
- ” ( ) ” REFERENCE ONLY
- ” ▽ ” CRITICAL DIMENSION

VARITRONIX LTD.		Dimension : mm	TOL : ±0.15 IF NOT SPECIFY	DO NOT SCALE DRAWING	3 <sup>rd</sup> ANGLE PROJECTION 
		DWG.NO. : VIM-503-1	REV 0	Drawn by : MEI	
		Checked by : ERIC	SIGN :	Date :	



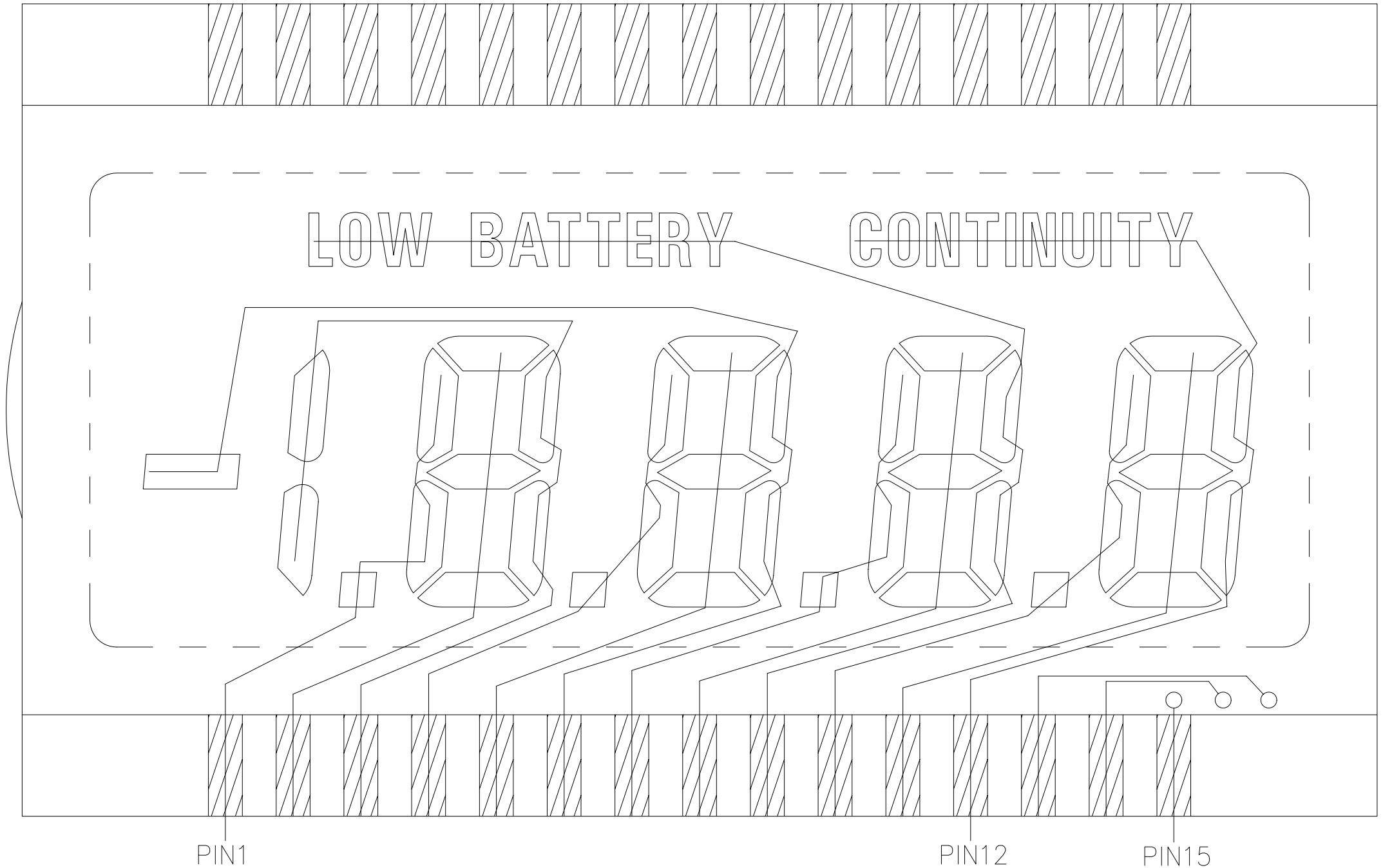
DWG.NO.: VIM-503-1 (REV.0)



DIGIT 1 - 5

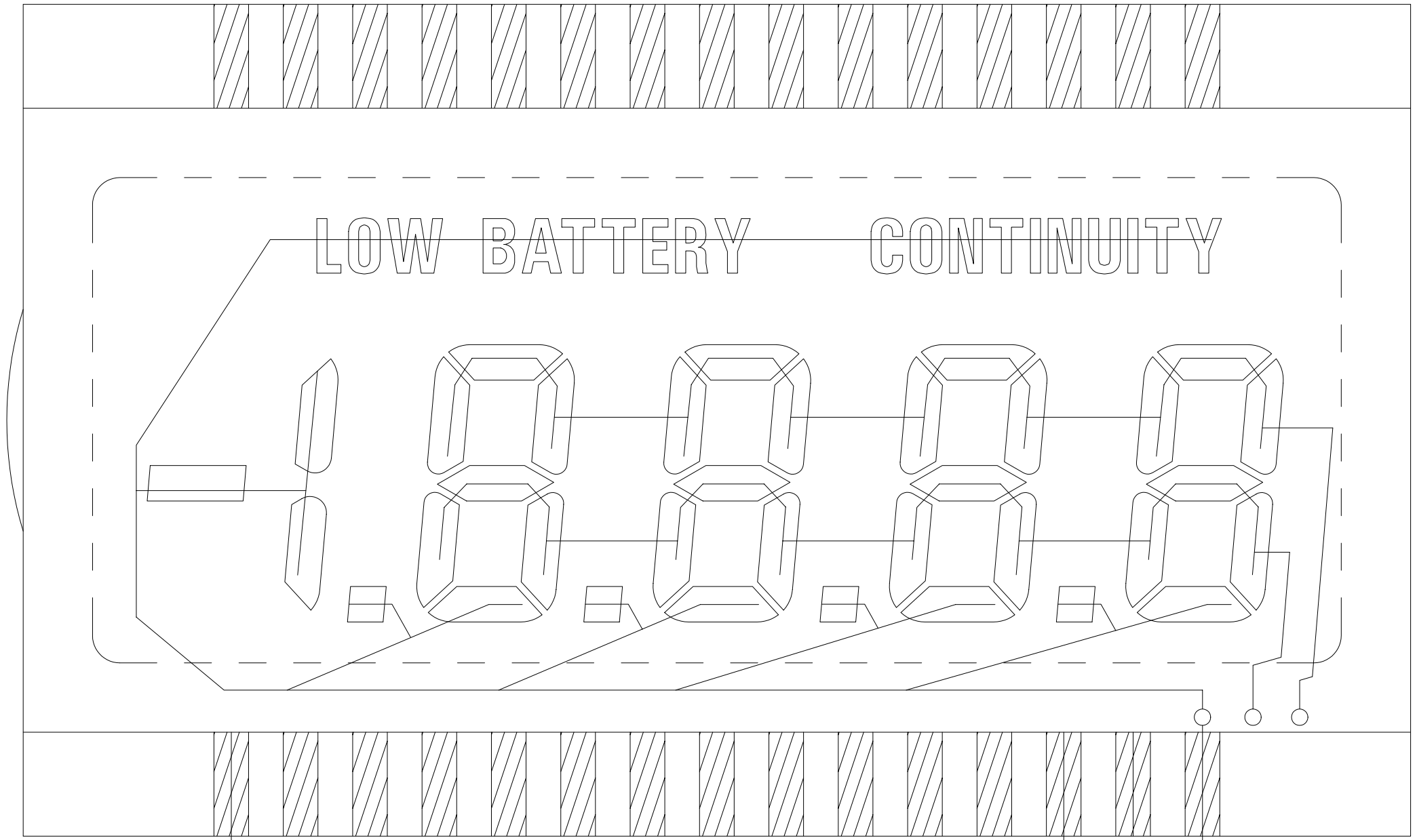
DWG.NO.: VIM-503-1 (REV.0)

SEGMENT TRACKING



DWG.NO.: VIM-503-1 (REV.0)

COMMON TRACKING



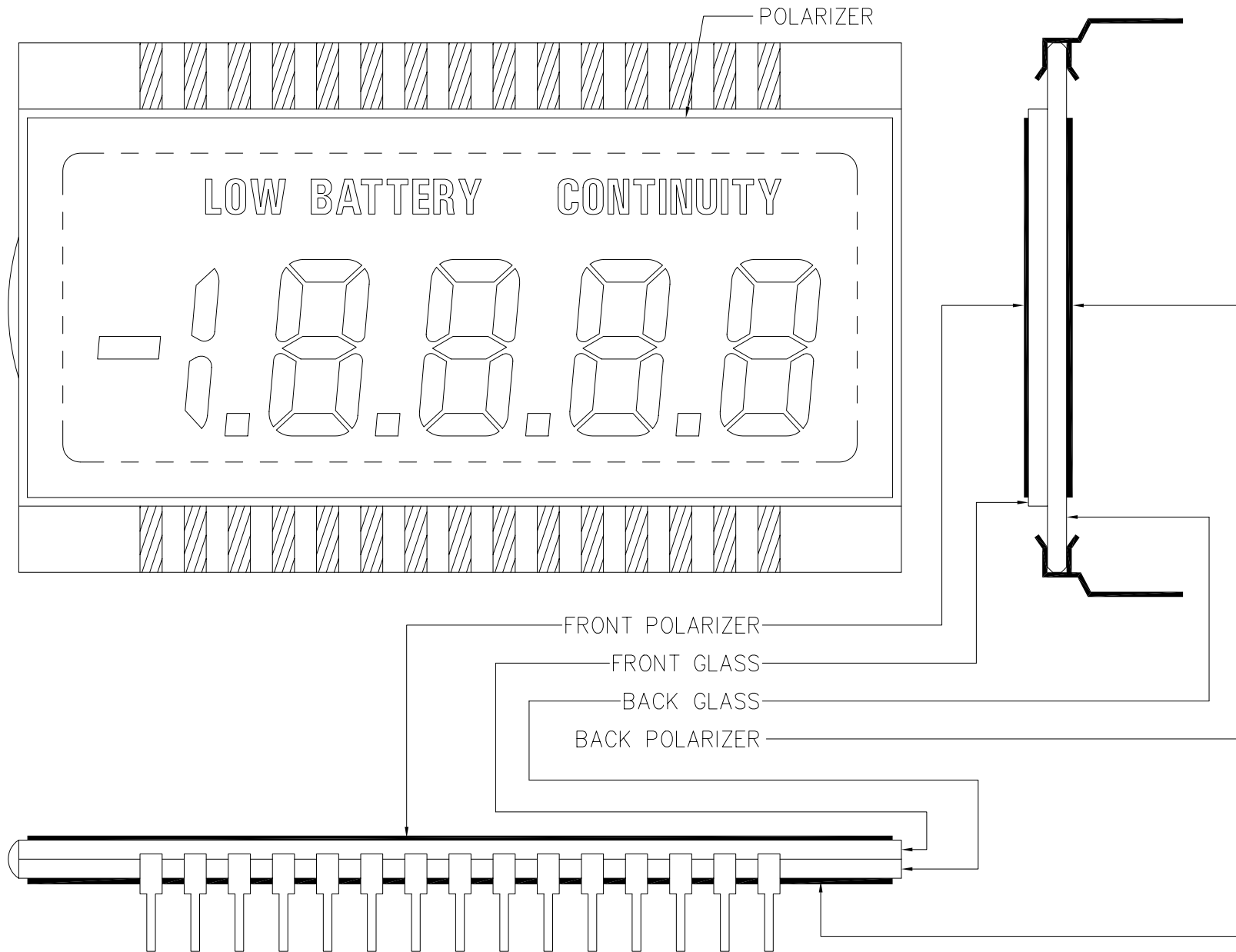
PIN1

PIN13

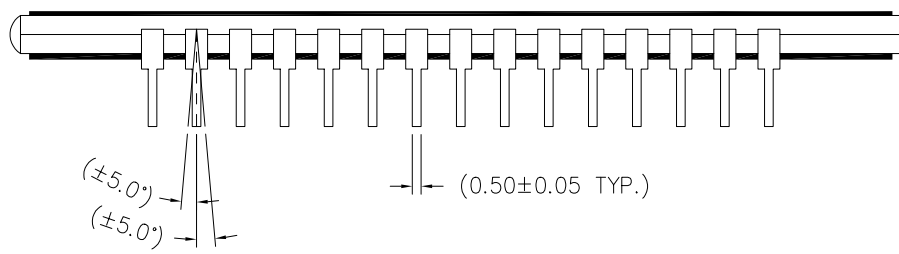
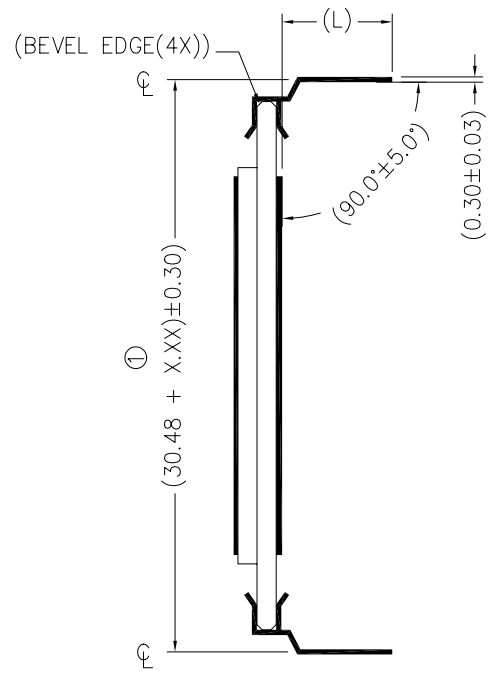
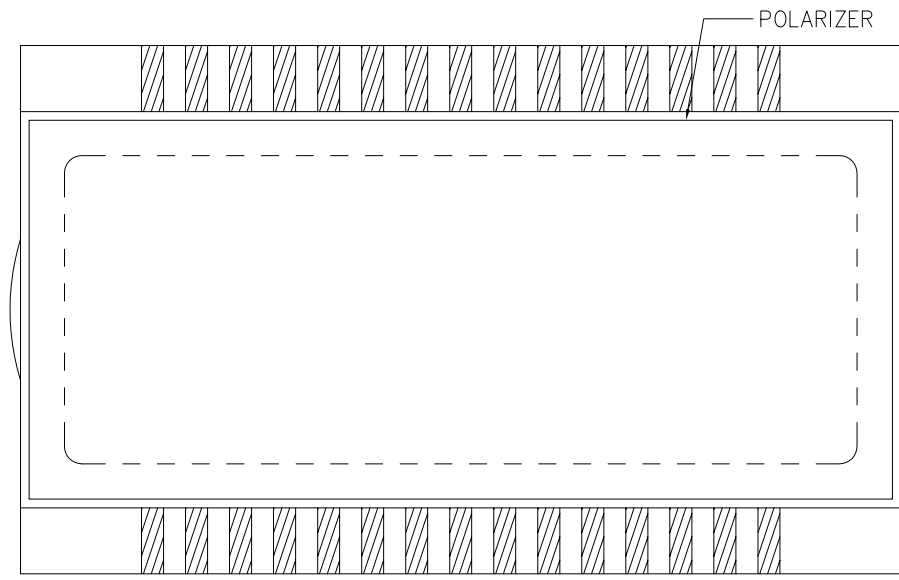
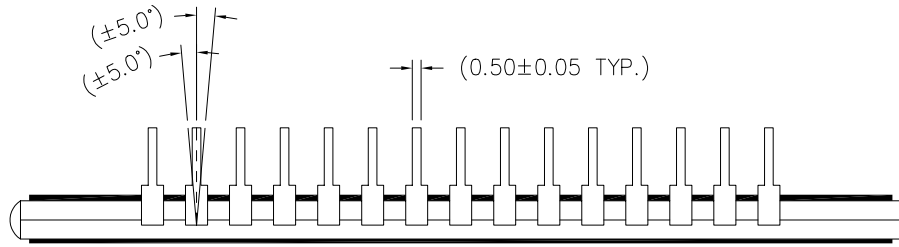
PIN15

C1-C3

VARITRONIX LIMITED	OPEN LAYER : P	SCALE
<b>POLARIZER LOCATION DIAGRAM</b>		Do not scale
DOC. NO. : PL-VIM-503-01	Drawn by : MEI	Date : 2003-08-27
	Checked by : INA	Date : 2003-08-27
	Approval by :	Date : 2003-08-27



VARITRONIX LIMITED	OPEN LAYER : DP-LO	SCALE
DIL-PIN DETAILS LOCATION DIAGRAM		Do not scale
DOC. NO. : DP-VIM-503-01	Drawn by : MEI	Date : 2003-08-27
	Checked by : MAKO	Date : 2003-08-27
ALL DIMENSIONS IN mm	Approval by :	Date : 2003-08-27



REMARKS: ① ----- X.XX=2.54 (FOR PIN LENGTH ≥ 3.2 & ≤ 10.00mm)  
X.XX=1.75 (FOR PIN LENGTH > 10.00 & ≤ 19.50mm)  
PIN LENGTH (L) REFER TO COVER PAGE

DWG.NO.: VIM-503-1 (REV.0)

PIN	COM1	COM2	COM3
1	4F	4E	5DP
2	4A	4G	4D
3	4B	4C	5B,C
4	3F	3E	4DP
5	3A	3G	3D
6	3B	3C	Y
7	2F	2E	3DP
8	2A	2G	2D
9	2B	2C	LOW.
10	1F	1E	2DP
11	1A	1G	1D
12	1B	1C	CON.
13	COM1	----	----
14	----	COM2	----
15	----	----	COM3
16-30	NO CONNECTION		